

CARBINE

# C73 SERIES

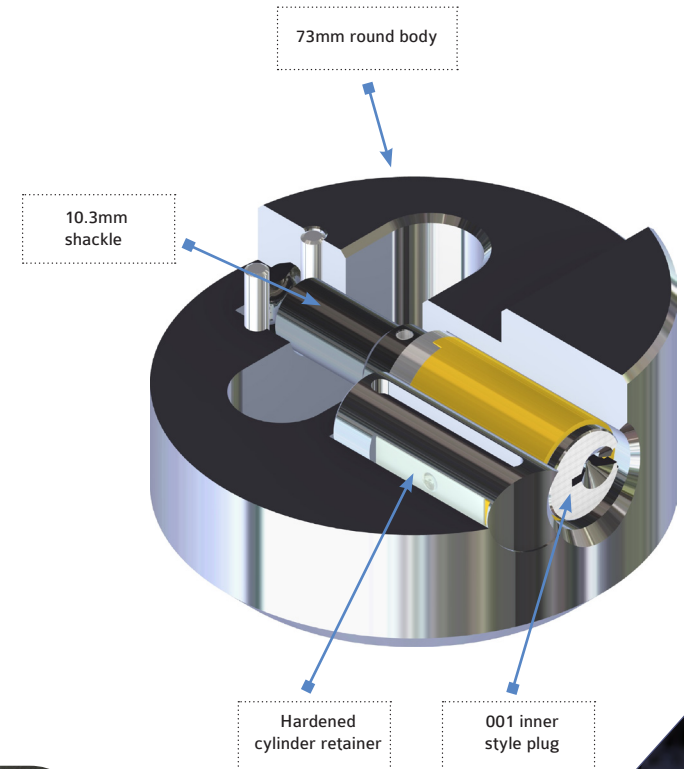
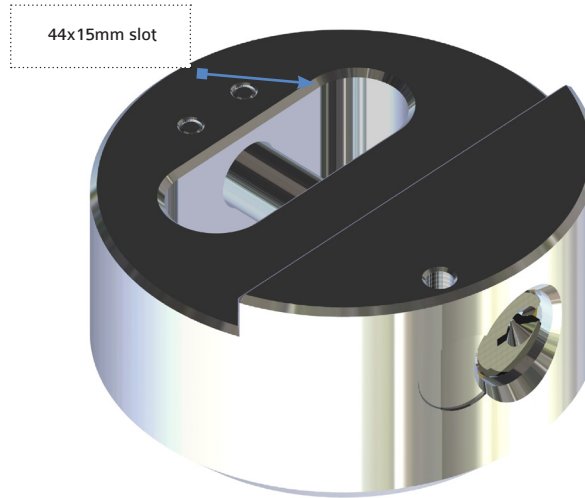
HIGH COMMERCIAL GRADE SECURITY



## C73 SPECS

- + Hardened steel body
- + 10.3mm molybdenum shackle
- + Shackle hardened to 60HRC
- + Shackles duplex nickel and chrome plated
- + Anti drill cylinder
- + 001 inner 5 pin C4 cylinder (accepts 6 pin keys)

Security   
Endurance   
Weather Resistance 



Steel



**C73**  
**STEEL PUCK PADLOCKS**

*Carbine has introduced the C73 Series for space sensitive environments, which are suitable for high commercial grade security. It's puck like design features a hardened steel body surrounding a 10.3mm shackle, which deters attacks from bolt cutters in the most secure way possible.*

Product Code	Keying	Packaging	A	B	C	D	E
C73-FE	KD	Indiv box	73	22.9	38.5	44	10.3
C73-FE-NB	-	Indiv box	73	22.9	38.5	44	10.3
C73-FE-DP	KD	DP	73	22.9	38.5	44	10.3

**Note: Assembly codes**

- NB denotes no barrel
- NC denotes no cylinder
- NS-NB denotes no shackle & no barrel
- NS-NC denotes no shackle & no cylinder

